



ethernet alliance



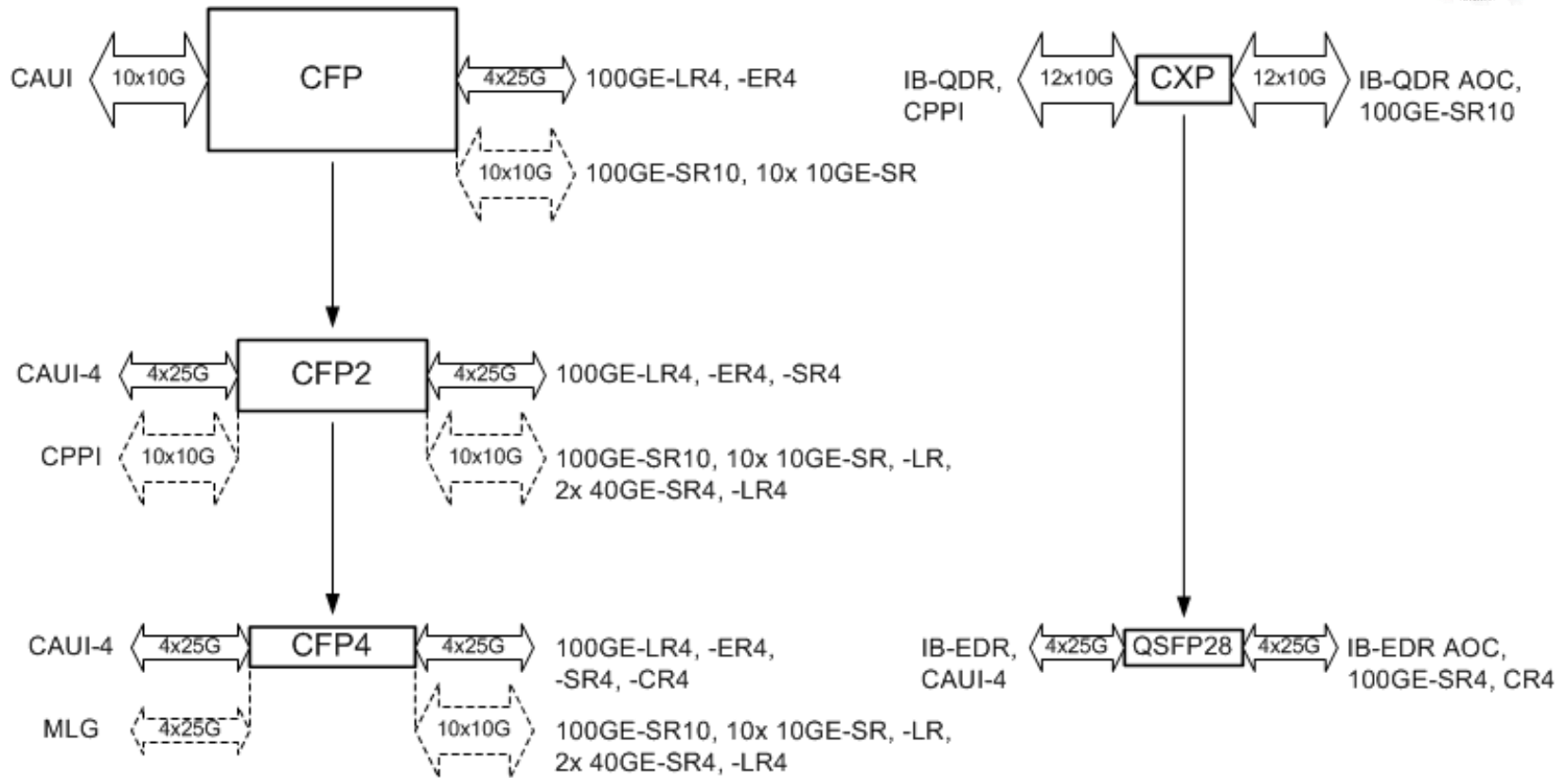
# 100GbE and Beyond Form Factors

Chris Cole  
CFP MSA Spokesperson  
21 March 2013



**Views expressed in this presentation may or may not be the views of the Ethernet Alliance**

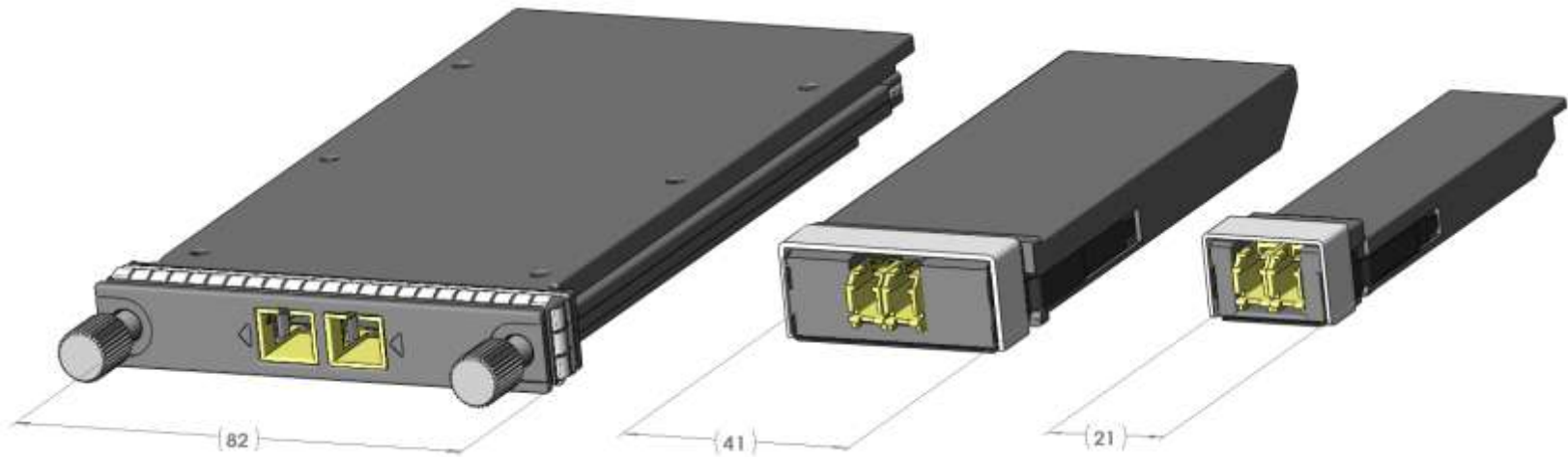
# 100G Modules



Module shapes all drawn approximately to same scale



# CFP MSA 100G Modules



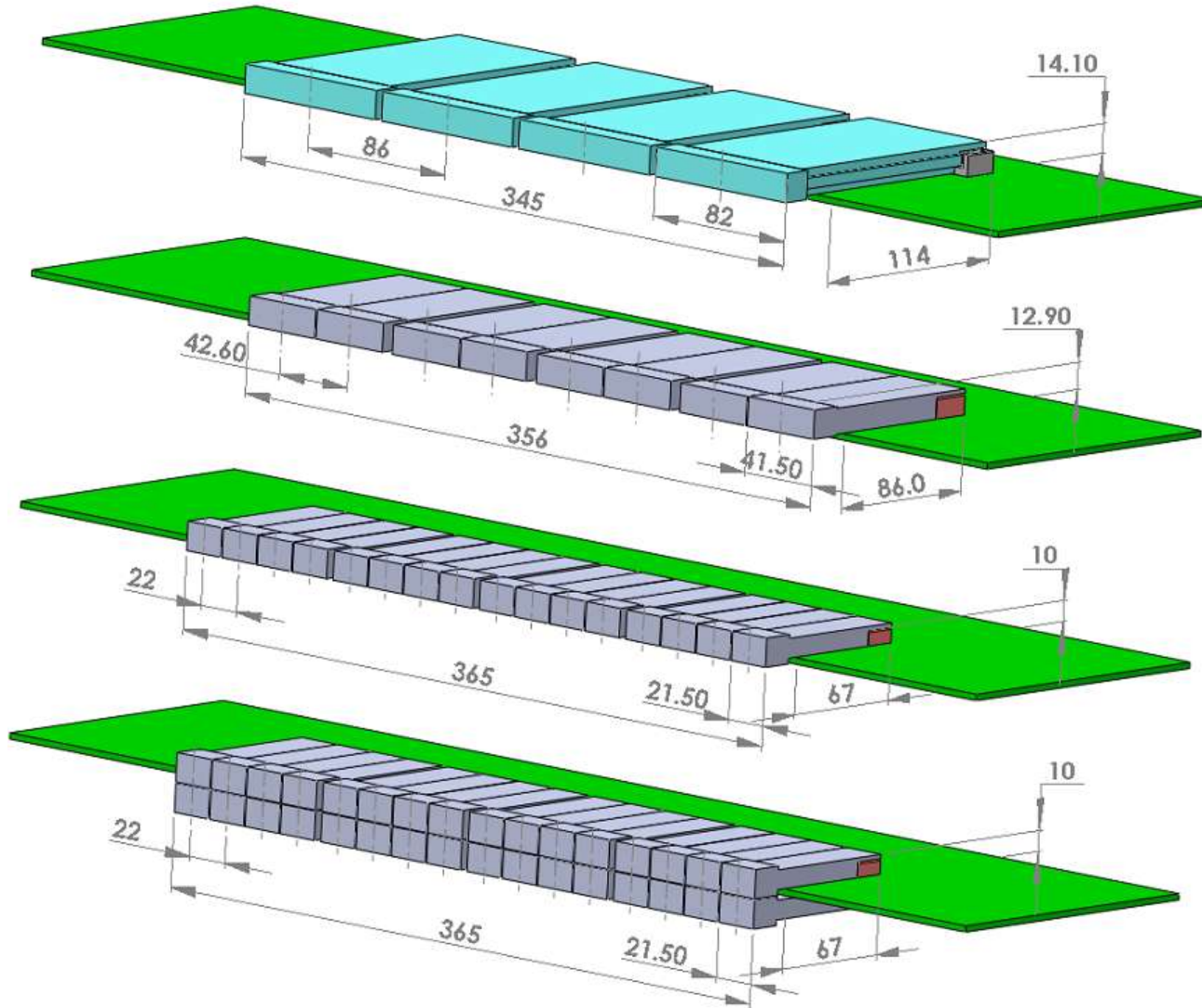
CFP

CFP2

CFP4



# CFP Module Densities



4x CFP  
(or 5x)

8x CFP2  
(or 10x)

16x CFP4  
(or 20x)

32x CFP4  
belly-to-belly  
(or 40x)



# 400GbE & Beyond Modules



	GEN1 <sup>1</sup> 400GbE	GEN2 400Gbe	GEN3 400GbE	GEN1 1.6TbE
Form Factor	CFP4 CFP4 CFP4 CFP4	CFP2	CFP4	CFP4 CFP4 CFP4 CFP4
Electrical I/O	16x25G NRZ	8x50G NRZ	4x100G PAM-4	16x100G PAM-4
Standard	CDAUI-16	CDAUI-8 <sup>2</sup>	CDAUI-4 <sup>2</sup>	XVIAUI-16

<sup>1</sup> Also CDFP MSA to define 16x25G CXP like form factor

<sup>2</sup> 50GBd NRZ and 50GBd PAM-4 VSR I/O can leverage 100GbE-KR4 & 100GbE-KP4 specs, respectively.



# OFC CFP2 Treasure Hunt



OFC/NFOEC 2013 Exhibitor	No. of operating CFP2s in booth
Avago Technologies	1
Ethernet Alliance	5
Finisar	4
Fujitsu Optical Components	0 (2 OK; static)
Oclaro	1
Optical Internetworking Forum	4
<b>TOTAL</b>	<b>15 (11 to 22 OK)</b>

- ❑ JDSU: 1 operating CFP2
- ❑ InPhi: 2 interoperating CFP2s
- ❑ Altera: 1 operating CFP2

